

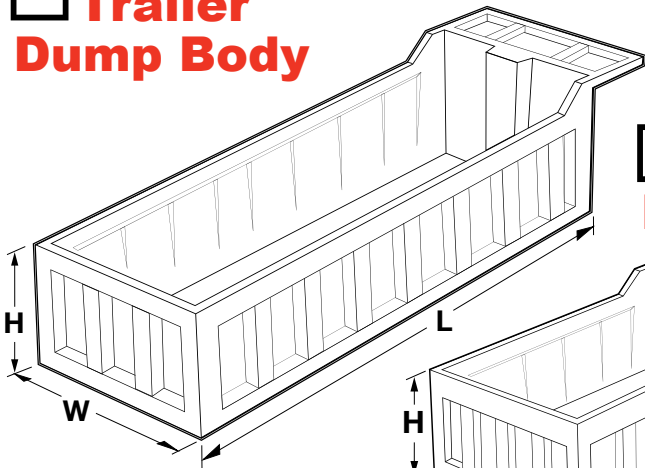
COMPANY _____
 CONTACT NAME _____
 ADDRESS _____

 PHONE _____ FAX _____
 EMAIL _____

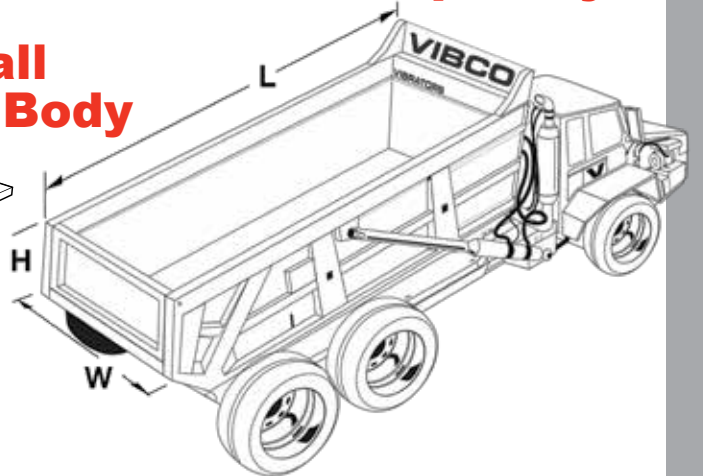
DUMP BODIES

Body Material: Steel Stainless Steel Aluminum Other (specify) _____
Dimensions: Yardage: _____ Length: _____ Width: _____ Height: _____

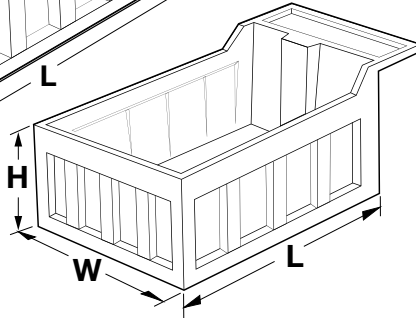
Trailer Dump Body



Articulated Dump Body



Small Dump Body



- Lined Unlined Framed Frameless Heated Non-Heated

PLEASE INCLUDE

engineering drawings & digital picture(s) of application & email them to vibrators@vibco.com.
 Or please include dimensions & notes regarding your application/problems on this form and fax it to **401-539-2584**.

MATERIAL BEING HAULED *

Type of Material: _____
Moisture & Texture: dry damp wet sticky dirt/soil aggregate
Weight per cubic foot: _____ lbs
Dumping Problem: sticking to sides sticking to front of body **OTHER:** _____

POWER AVAILABLE - preferred *

AIR Volume: _____ CFM Pressure at vibrators (not at compressor): PSI _____
 ELECTRIC 12 Volt: _____ 24 Volt: _____
 HYDRAULIC PSI: _____ GPM: _____

CLEAR

SUBMIT