

COMPANY _____
 CONTACT NAME _____
 ADDRESS _____

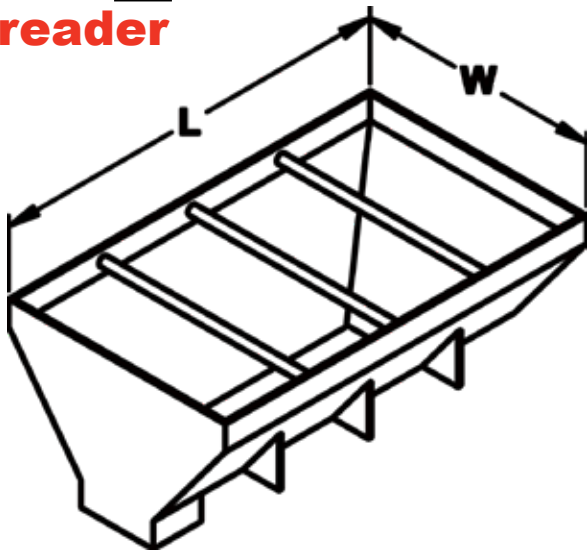
 PHONE _____ FAX _____
 EMAIL _____

SPREADERS

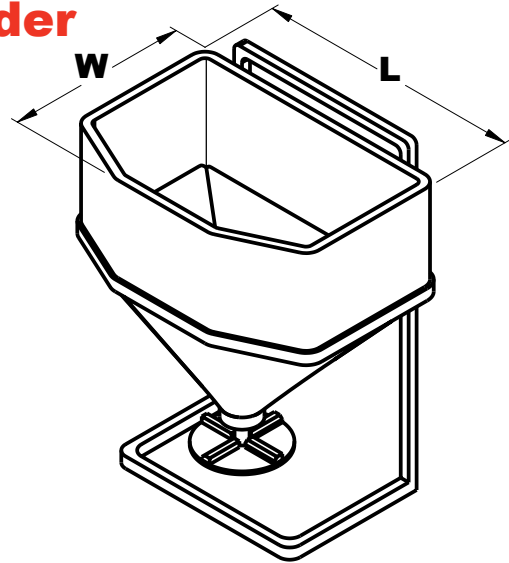
Body Material: Steel Stainless Steel Aluminum Plastic Other: _____

Dimensions: Yardage: _____ Length: _____ Width: _____

V-type
Spreader



Tailgate
Spreader



PLEASE INCLUDE

engineering drawings & digital picture(s) of application & email them to **vibrators@vibco.com**.

Or please include dimensions & notes regarding your application/problems on this form and fax it to **401-539-2584**.

MATERIAL BEING SPREAD *

Type of Material: _____

Moisture & Texture: dry damp wet sticky dirt/soil aggregate

Weight per cubic foot: _____ lbs

Spreader Problem: sticking to sides sticking to front of body **OTHER:** _____

POWER AVAILABLE - preferred *

AIR Volume: _____ CFM Pressure at vibrators (not at compressor): _____ PSI

ELECTRIC 12 Volt: _____ 24 Volt: _____

HYDRAULIC PSI: _____ GPM: _____

CLEAR

SUBMIT